

PRODUCT TECHNICAL SHEET

Collection :	PLUG	Ref. :	4070.11.74
--------------	------	--------	------------

Thermostatique à encastrer
Inbouw thermostaat
Concealed thermostatic

Picture

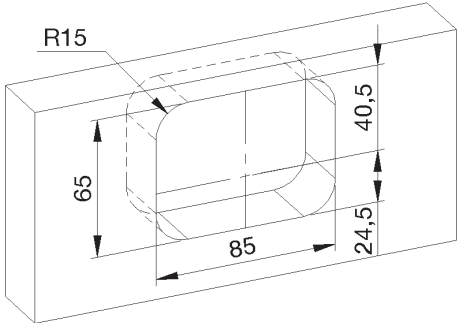
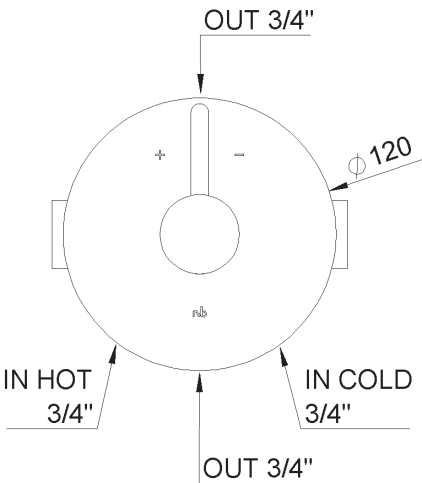
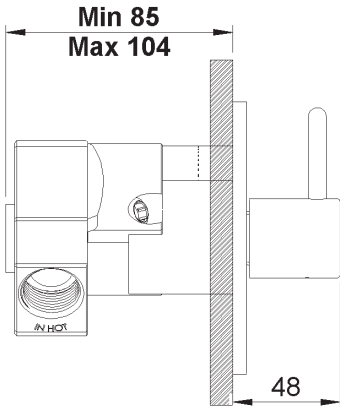
Product details



Flow at 3 bar : 32 l/min

T° mechanism : Thermostatic wax cartridge

Technical drawing



RA1.V01